

What is Solar Thermal Energy?

Hot Water from the Sun

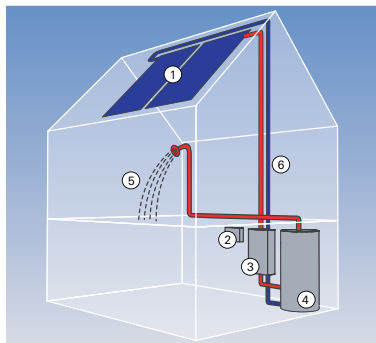


What It Does

Solar thermal energy systems capture heat from the sun and use it to heat water. A properly installed system works year-round, even when it's cloudy.

Solar thermal lowers your utility bill, and lets you be part of reducing energy consumption, pollution, and global warming. It also adds to the value of your home – a Schüco solar thermal system looks great and lasts for years.

Schüco dealers are trained and certified to install our systems, and ensure the best installation quality on and in your home.



How it Works

1. The sun heats a non-toxic, freeze-proof solar fluid in a solar collector on the roof.
2. The controller detects that the solar fluid is hotter than the water in the hot water tank.
3. A pump in the Solar Station pumps solar fluid from the collector to the hot water tank.
4. The solar fluid flows through a pipe coiling inside the hot water tank, and heats the water in the tank.
5. The hot water is available for use in the house.
6. The solar fluid is pumped back up to the collector, where it is once again heated by the sun.

What You Need

A Schüco solar thermal energy system is a complete, all-in package with everything you need:

- Collectors
- Storage tank
- Expansion tank
- Solar station with pump
- Controller
- Solar fluid
- Mounting hardware
- Piping

Key Components

Collector

Schüco collectors are guaranteed for 10 years. The front is tempered safety glass, to stand up to any weather, and the smooth surface looks good on the roof. We offer collectors in silver or bronze frame colors. Two or three collectors can typically supply a family with all the hot water they need.



Collector

Storage Tank

We offer several versions of tanks which can be combined with your existing heating systems. The solar fluid running through the tank heats the water, but never touches it.



Storage tank

Solar Station

The unique Schüco Solar Station contains the pump and all the valves for the system. It's insulated to keep solar heat in.



Solar Station

Controller

The SDC 204 controller monitors system temperature. When the tank temperature falls below the temperature in the collector, the controller sends solar fluid to the tank to heat up the water. When the water is hot enough, it shuts off the pump, saving electricity.



Controller

To learn more about Schüco Solar Energy Systems, visit our website or consult your dealer.



SRCC OG-300 and Energy star certifications qualify the Schüco solar thermal systems for Federal and State incentives.

Schüco USA L.P.
www.schuco-usa.com

